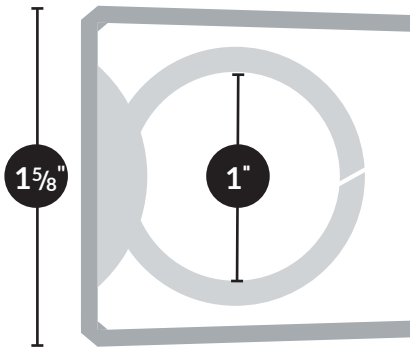




Briggs Ringbinders

Backed by a **FULL 5-Year Warranty**, we promise “No Cracks. No Breaks. No Problems” or you receive FULL credit. It’s that simple. You can be confident that Briggs Ringbinders will protect your clinical, legal and compliance documents from damage and loss!



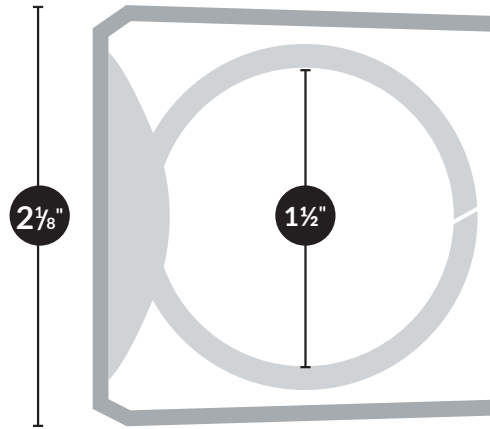
Small Ringbinders (175-Page Capacity)

Top Open

Ring Size: 1”
Cover: 13-3/8”H x 9-1/8”W
Spine Width: 1-5/8”

Side Open

Ring Size: 1”
Cover: 11-5/8”H x 11-1/8”W
Spine Width: 1-5/8”



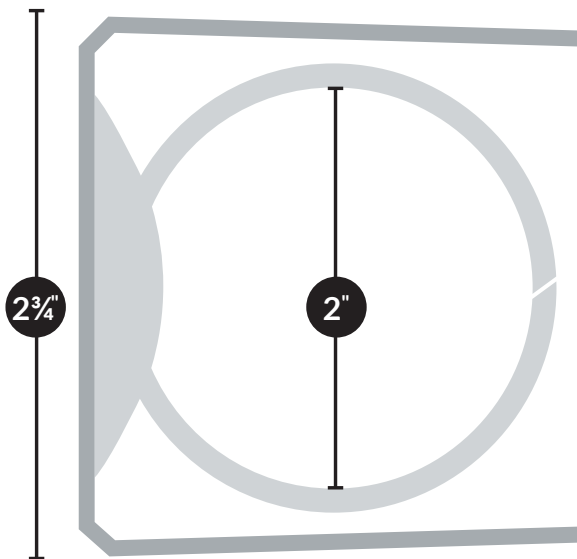
Medium Ringbinders (300-Page Capacity)

Top Open

Ring Size: 1-1/2”
Cover: 13-3/8”H x 9-1/8”W
Spine Width: 2-1/8”

Side Open

Ring Size: 1-1/2”
Cover: 11-5/8”H x 11-1/8”W
Spine Width: 2-1/8”



Briggs Best Sellers!

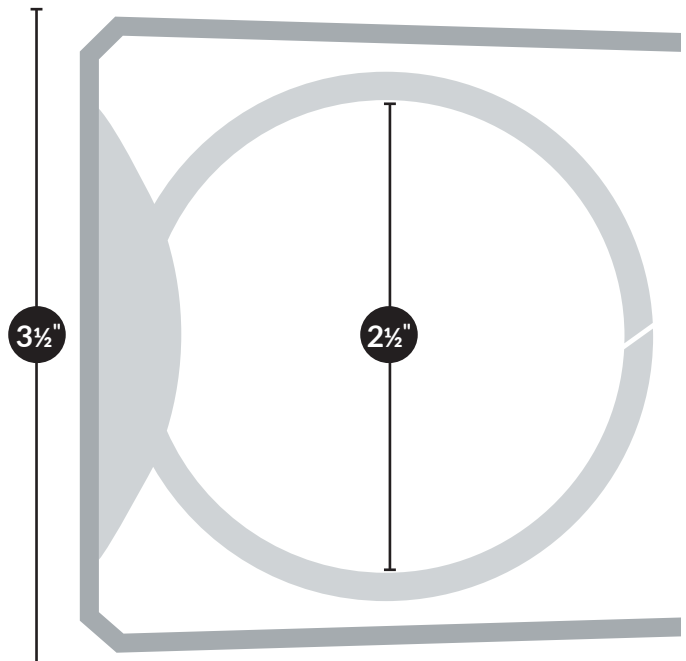
Large Ringbinders (350-Page Capacity)

Top Open

Ring Size: 2”
Cover: 13-3/8”H x 9-1/8”W
Spine Width: 2-3/4”

Side Open

Ring Size: 2”
Cover: 11-5/8”H x 11-1/8”W
Spine Width: 2-3/4”



Jumbo Ringbinders (450-Page Capacity)

Top Open

Ring Size: 2-1/2”
Cover: 14-3/4”H x 9-1/8”W
Spine Width: 3-1/2”

Side Open

Ring Size: 2-1/2”
Cover: 11-5/8”H x 12-1/2”W
Spine Width: 3-1/2”